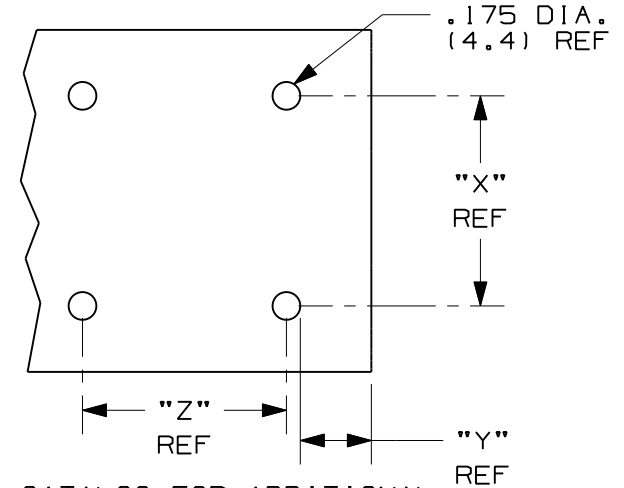
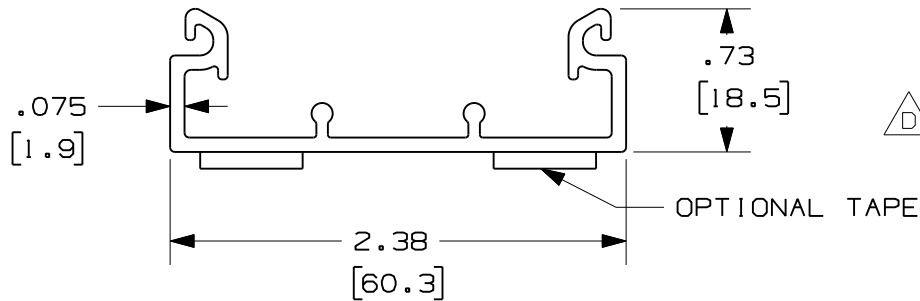


THIS COPY IS PROVIDED ON A RESTRICTED BASIS AND IS NOT TO BE USED IN ANY WAY DETRIMENTAL TO THE INTERESTS OF PANDUIT CORP.

PANDUIT PART NO.	LENGTH ^B	WEIGHT	MOUNTING HOLE DIM'S		
			"X"	"Y"	"Z"
T45B**8	96.00 IN ±.18 IN.	1.60 LB/96 IN. (723.8 G/2438 MM)	1.47 (37.3)	3.91 (99.3)	8.00 (203.2)
T45B**10	120.00 IN ±.18 IN.	2.00 LB/120 IN. (904.8 G/3048 MM)	1.47 (37.3)	3.91 (99.3)	8.00 (203.2)
T45B**2	78.74 ±.18 (2000 ±4.5)	1.31 LB/78.74 IN. (593.7 G/2000 MM)	1.47 (37.3)	3.28 (83.3)	8.00 (203.2)
T45B**3	118.11 ±.18 (3000 ±4.5)	1.96 LB/118.1 IN. (890.5 g/3000 mm)	1.47 (37.3)	2.97 (75.4)	8.00 (203.2)



^A



NOTES:

- ** 1. SEE CURRENT CATALOG FOR ADDITIONAL PART SUFFIXES TO INDICATE COLORS AND OR PACKAGE QUANTITY.
2. THE T45B IS USED WITH THE T45C RACEWAY COVER.
3. DIMENSIONS IN PARENTHESIS ARE IN METRIC.
4. REMOVED
5. PART IS DESIGNED TO SUPPORT MAXIMUM WEIGHT ON A CLEAN, DRY, SMOOTH SURFACE. THE SURFACE MUST BE PROPERLY PREPARED IN ACCORDANCE WITH PANDUIT RECOMMENDATIONS.
6. TO APPLY PART:
 - a. REMOVE PROTECTIVE LINER.
 - b. PLACE PART IN DESIRED LOCATION.
 - c. APPLY PRESSURE TO FLAT SURFACE OF PART.

NO WARRANTY, EXPRESSED OR IMPLIED, IS MADE BY PANDUIT WITH RESPECT TO ADHESIVE BOND PERFORMANCE. AMONG OTHER THINGS, THE CONDITIONS UNDER WHICH THESE MOUNTS MAY BE APPLIED AND/OR THE SURFACE TO WHICH THEY MAY BE APPLIED ARE BEYOND PANDUIT'S CONTROL.

CAD FILENAME/LAYERS D36975EC_DC_T45B_00C.PRT

PANDUIT CORP. TINLEY PARK, ILLINOIS
T-45 BASE (T45B)
 CUSTOMER DRAWING

REV	DATE	BY	CHK	DESCRIPTION	ECN	CHK	CUST	SUP
2	10-05-08	BDK	RMHI	D. REMOVED NOTE 4	36975-65	RTFI	RTFI	
-	-----	--	--	C. REV'D NOTE 4: ADDED METRIC LENGTHS	36975-65	--	--	
1	06-19-00	JHNU	HIW	B. REV'D TOL.: ±.18 WAS ±.13. A. ADDED LENGTHS IN INCHES	36975-65	HIW	HIW	
R	10-28-99	RABO	HIW	RELEASED TO PRODUCTION	36975-65	HIW	HIW	

UNLESS OTHERWISE SPECIFIED, DIMENSIONAL TOLERANCES ARE: (.X) ± (.XXX) ± (.XX) ±.03(.8) ANGLES ±		UNLESS OTHERWISE SPECIFIED, ALL DIMENSIONS ARE GIVEN IN INCHES, THIRD ANGLE PROJECTION.	
DRAWN BY RABO	MAT'L: PVC	SCALE NONE	
DATE 10-28-99	CHECKED BY BKR	DRAWING NO. 36975-65	DWG A SIZE